

Ø28⁺²

Ø33⁺²

165

PORCELAIN PIN INSULATORS

Products catalogue
2020

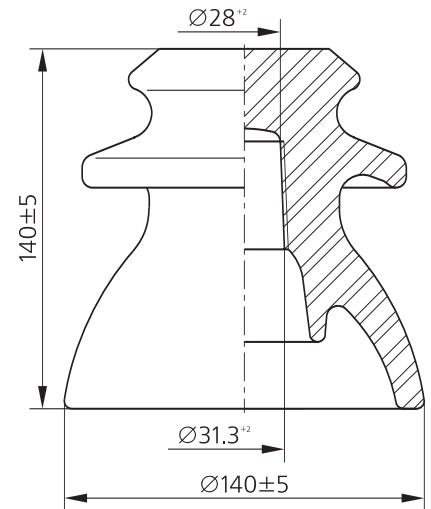


GLOBAL INSULATOR GROUP

HV porcelain pin insulator of SHF10G type

Insulator meet TU 3493-133-00111120-96 requirements.

Minimum voltage	Puncture voltage in insulating medium	kV	160
	50 Hz withstand voltage (dry)	kV	65
	50 Hz withstand voltage (wet)	kV	42
	Impulse withstand voltage	kV	100
Average annual number of failure, not more than		N/per year	0.0005
Nominal creepage distance, not less than		mm	256
Minimum mechanical failing load (bending), not less than		kN	12.5
Weight		kg	1.8

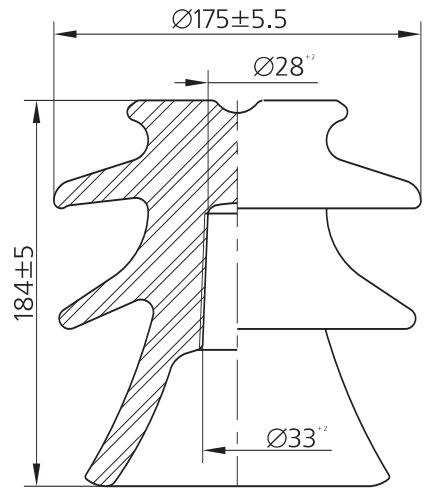


HV porcelain pin insulator of SHF20G type

There are three modifications of the insulator after the manner of its coupling: with the polyethylene capsule, with the composite material thread corresponding to the requirements of SFS (Finland) standard and BS (Great Britain) – a small head.

Insulator meet TU 3493-170-00111120-2000 requirements.

Minimum voltage	Nominal	kV	20
	Puncture voltage in insulating medium	kV	180
	50 Hz withstand voltage (dry)	kV	85
	50 Hz withstand voltage (wet)	kV	65
	Impulse withstand voltage	kV	135
Average annual number of failure, not more than	N/per year	0.0005	
Nominal creepage distance, not less than	mm	400±10	
Minimum mechanical failing load (bending), not less than	kN	13	
Weight	kg	3.2±0.2	

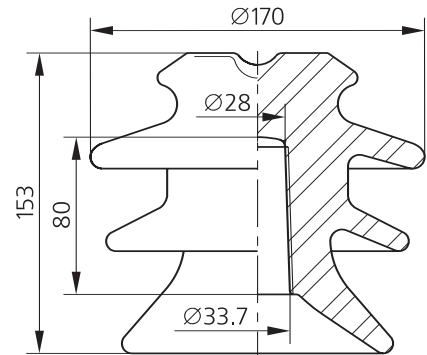


HV porcelain pin insulator of SHF20GM type

There are two modifications of the insulator after the manner of its coupling: with the polyethylene capsule, with the composite material thread corresponding to the requirements of SFS (Finland) standard.

Insulator meet TU 3493-170-00111120-2000 requirements.

Minimum voltage	Nominal	kV	20
	Puncture voltage in insulating medium	kV	180
	50 Hz withstand voltage (dry)	kV	75
	50 Hz withstand voltage (wet)	kV	60
	Impulse withstand voltage	kV	125
Average annual number of failure, not more than	N/per year	0.0005	
Nominal creepage distance, not less than	mm	325±14.5	
Minimum mechanical failing load (bending), not less than	kN	13	
Weight	kg	2.9±0.17	

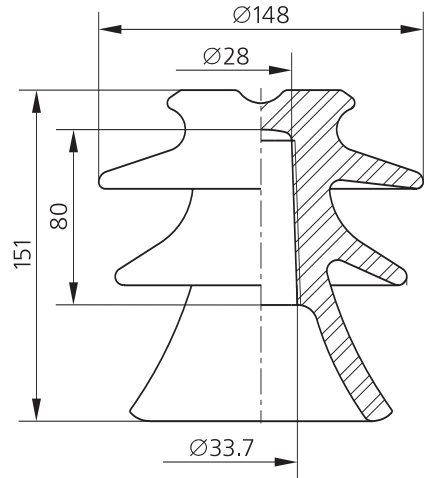


HV porcelain pin insulator of SHF20GS type

There are two modifications of the insulator after the manner of its coupling: with the polyethylene capsule, with the composite material thread corresponding to the requirements of SFS (Finland) standard.

Insulator meet TU 3493-170-00111120-2000 requirements.

Minimum voltage	Nominal	kV	20
	Puncture voltage in insulating medium	kV	180
	50 Hz withstand voltage (dry)	kV	75
	50 Hz withstand voltage (wet)	kV	60
	Impulse withstand voltage	kV	125
Average annual number of failure, not more than		N/per year	0.0005
Nominal creepage distance, not less than		mm	325±14.5
Minimum mechanical failing load (bending), not less than		kN	13
Weight		kg	1.82±0.1

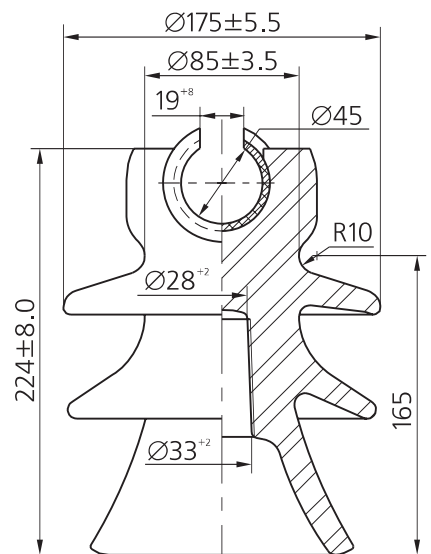


HV porcelain pin insulator of SHF20G1 type

There are three modifications of the insulator after the manner of its coupling: with the polyethylene capsule, with the composite material thread corresponding to the requirements of SFS (Finland) standard and BS (Great Britain) – a small head.

Insulator meet TU 3493-170-00111120-2000 requirements.

Minimum voltage	Nominal	kV	20
	Puncture voltage in insulating medium	kV	180
	50 Hz withstand voltage (dry)	kV	85
	50 Hz withstand voltage (wet)	kV	65
	Impulse withstand voltage	kV	135
Average annual number of failure, not more than		N/per year	0.0005
Nominal creepage distance, not less than		mm	400±10
Minimum mechanical failing load (bending), not less than		kN	13
Weight		kg	3.5±0.3

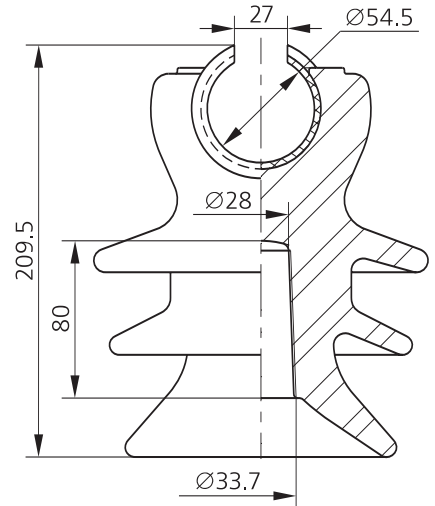


HV porcelain pin insulator of SHF20G1M type

There are two modifications of the insulator after the manner of its coupling: with the polyethylene capsule, with the composite material thread corresponding to the requirements of SFS (Finland) standard.

Insulator meet TU 3493-170-00111120-2000 requirements.

Minimum voltage	Nominal	kV	20
	Puncture voltage in insulating medium	kV	180
	50 Hz withstand voltage (dry)	kV	75
	50 Hz withstand voltage (wet)	kV	60
	Impulse withstand voltage	kV	125
Average annual number of failure, not more than	N/per year	0.0005	
Nominal creepage distance, not less than	mm	325±14.5	
Minimum mechanical failing load (bending), not less than	kN	13	
Weight	kg	3.3±0.2	

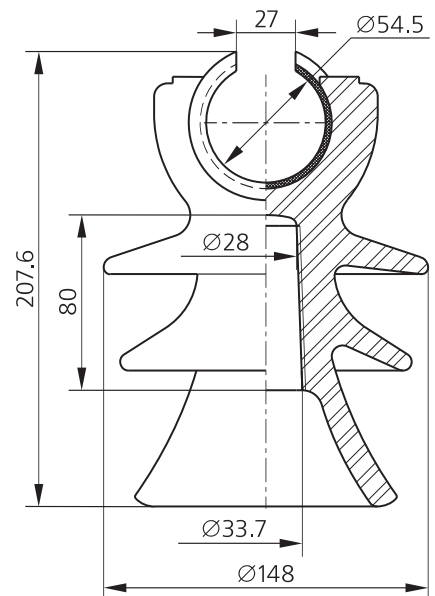


HV porcelain pin insulator of SHF20G1S type

There are two modifications of the insulator after the manner of its coupling: with the polyethylene capsule, with the composite material thread corresponding to the requirements of SFS (Finland) standard.

Insulator meet TU 3493-170-00111120-2000 requirements.

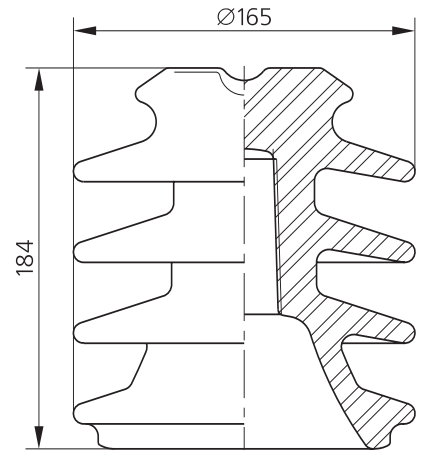
Minimum voltage	Nominal	kV	20
	Puncture voltage in insulating medium	kV	180
	50 Hz withstand voltage (dry)	kV	75
	50 Hz withstand voltage (wet)	kV	60
	Impulse withstand voltage	kV	125
Average annual number of failure, not more than	N/per year	0.0005	
Nominal creepage distance, not less than	mm	325±14.5	
Minimum mechanical failing load (bending), not less than	kN	13	
Weight	kg	2.1±0.12	



HV porcelain pin insulator of SHF20-13-E-I type

Porcelain pin insulator of SHF20-13-E-I type is intended for the insulation and fastening conductors in the AC overhead transmission lines and switchgears of the power stations and substations with the voltage up to 20 kV and power frequency up to 100 Hz, at the temperature of air from -60°C to +50°C.

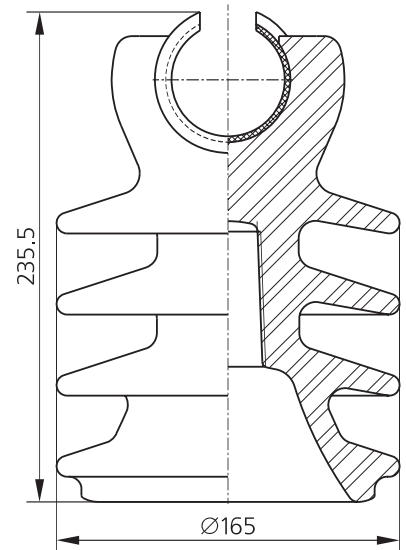
Minimum voltage	Nominal	kV	20
	Puncture voltage in insulating medium	kV	180
	50 Hz withstand voltage (dry)	kV	85
	50 Hz withstand voltage (wet)	kV	65
	Impulse withstand voltage	kV	135
Average annual number of failure, not more than	N/per year	0.0005	
Nominal creepage distance, not less than	mm	480±13	
Minimum mechanical failing load (bending), not less than	kN	13	
Weight	kg	3.7±0.22	



HV porcelain pin insulator of SHF20-13-E-1-I type

Porcelain pin insulator of SHF20-13-E-1-I type is intended for the insulation and fastening conductors in the AC overhead transmission lines and switchgears of the power stations and substations with the voltage up to 20 kV and power frequency up to 100 Hz, at the temperature of air from -60°C to +50°C.

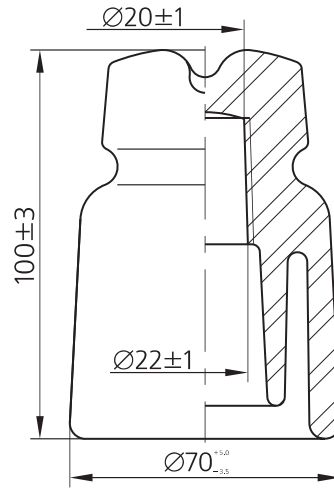
Minimum voltage	Nominal	kV	20
	Puncture voltage in insulating medium	kV	180
	50 Hz withstand voltage (dry)	kV	85
	50 Hz withstand voltage (wet)	kV	65
	Impulse withstand voltage	kV	135
Average annual number of failure, not more than	N/per year	0.0005	
Nominal creepage distance, not less than	mm	480±13	
Minimum mechanical failing load (bending), not less than	kN	13	
Weight	kg	4.1±0.24	



LV porcelain pin insulator of TF20 type

Insulator meet TU 34-27-98-93 requirements.

Minimum electrical resistivity of isolation	MOhm	$5 \cdot 10^4$
Minimum mechanical failing load (bending)	kN	8.0
Weight	kg	0.5



Packing

Each packet with crates includes several wooden crates placed on the pallet. For packing manufacture the "screwringed" nails are used. They have ring grooves on the stem that create the additional friction force and the nails keep the nailed timber more fixedly.

The pallet packer wraps round the packet with insulators by stretchtape in a few layers to strengthen it for transport to the consumer.



Porcelain pin insulators	1-6
HV porcelain pin insulator of SHF10G type	1
HV porcelain pin insulator of SHF20G type	2
HV porcelain pin insulator of SHF20GM type	2
HV porcelain pin insulator of SHF20GS type	3
HV porcelain pin insulator of SHF20G1 type	3
HV porcelain pin insulator of SHF20G1M type	4
HV porcelain pin insulator of SHF20G1S type	4
HV porcelain pin insulator of SHF20-13-E-I type	5
HV porcelain pin insulator of SHF20-13-E-1-I type	5
LV porcelain pin insulator of TF20 type	6
Packing	7

GLOBAL INSULATOR GROUP

tel +371-676-51117
e-mail: ved@gig-group.com
www.gig-group.com

